



Fume Cupboard



We know how important it is to choose the right fume cupboard to meet market requirements, and at the same time offer both optimal protection and comfort for the user. Our fume cupboards set a completely new standard for safety-ventilated workplaces - a modern, innovative and complete series of fume cupboards that exceed the requirements set by authorities and the market.

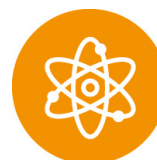
ninoGUARD fume cupboards are modular, which makes it possible to choose the functions you want. The design of the unique and specially manufactured profile for controlling the air flow and minimizing turbulence also provides the market's best opening width in relation to total width. Leg height of at least 820 mm.

ninoGUARD is available in basic versions as well as the exclusive **ninoGUARD Pro**. The program also includes the **ninoGUARD Isotope** - for those who work with radioactive materials, and **ninoGUARD PP** - for applications where high resistance to acids is required.

For optimized safety, there is the accessory **ninoGUARD Control** which controls and monitors the flow. A completely unique VAV system with proactive control of the damper so that the flow always maintains the set value without time delay when changing the working opening of the sash window.

Energy-saving automation, **ninoGUARD Control Pro**, which automatically closes the sash window when there is no presence in front of the fume cupboard, saves both money and the environment.

*For a more "basic" control of the flow, we also offer ninoGUARD Alarm.
The fume cupboard in the picture is extra equipped.*



Modern

Innovative

Complete

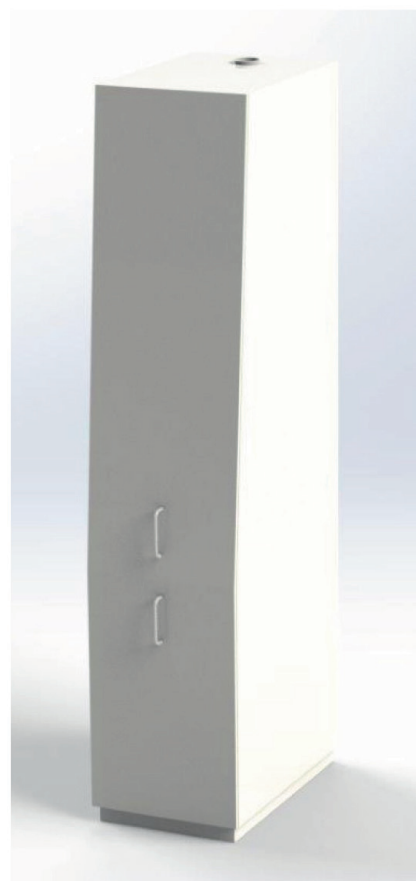
ninoGUARD - Fume Cupboard

Benefits in close-up



Stable and robust support stand prepared for ventilation in the back when you have a ventilated storage cupboard. Available as manually adjustable every 25 mm from 700-950 mm and electrically height-adjustable which is controlled from the touch display in the side panel.

Ventilated chemical cabinet with split extendable front in the same shape as the fume cupboard 300x600x2000 mm (WxDxH) and 400x800x2000 mm. Chipboard frame with melamine laminate and drawer front in high-pressure laminate with stainless steel handle. 3 shelves in the upper part and 2 pcs. Shelves in the lower part.



Ventilated cupboard storage with complete pull-out drawer in sizes B: 400 mm and W: 500 mm. Frame in chipboard with melamine laminate and drawer front in high-pressure laminate with stainless steel handle.



Brand new innovative touch panel - easy to operate with clear icons.

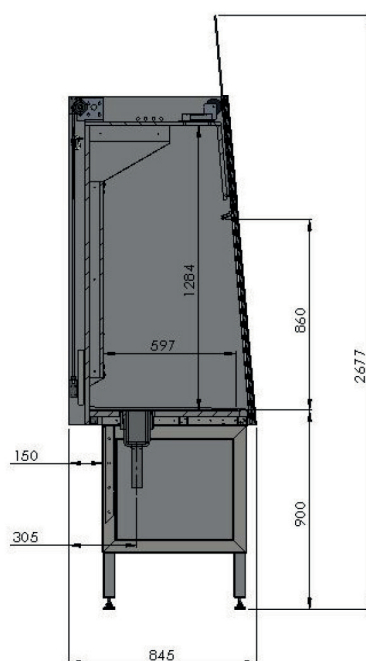
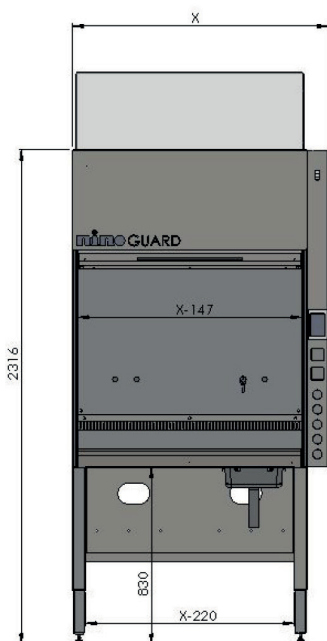
ninoGUARD PRO

	ninoGUARD 900 PRO	ninoGUARD 1200 PRO	ninoGUARD 1500 PRO	ninoGUARD 1800 PRO
External width	900 mm	1200 mm	1500 mm	1800 mm
Internal width	750 mm	1050 mm	1350 mm	1650 mm
External depth	845 mm			
External depth incl. media	865 mm			
Internal depth	662 mm			
External height for ducting	2195 mm, at 900 mm working height			
External height incl support standv	2080 mm with recessed legs on stand			
External height w/o support stand	1490 mm			
Max height with open sash	2062			
Work height	700 mm - 1050 mm (Adjustable fixed) / 750 mm - 1050 mm (Electrical stand)			
Free leg space underneath	830 mm, at 900 mm work height			
Light	Min. 1000 Lux			
Sash window	6 mm laminated glass			
Sash window design	Double PVC-cover stainless steel wire			
Material work top	Stainless steel (316), ceramic or epoxy			
Side panel	Standard			
Media standard	5 pcs as standard			
Electrical outlet standard	2 pcs included as standard			
RCD, Residual circuit breaker	Standard			
Ø Duct connection	250 mm	250 mm	315 mm	315 mm

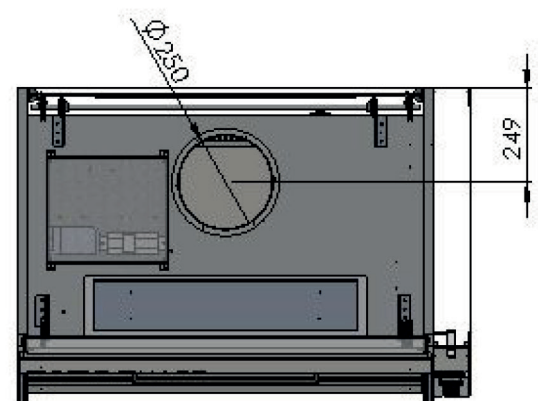
	ninoGUARD 900 PRO	ninoGUARD 1200 PRO	ninoGUARD 1500 PRO	ninoGUARD 1800 PRO
External width	900 mm	1200 mm	1500 mm	1800 mm
Internal width	750 mm	1050 mm	1350 mm	1650 mm
"Closed sash" (6 cm open)	30 l/s	40 l/s	50 l/s	60 l/s
40 cm sash opening	150 l/s	210 l/s	270 l/s	330 l/s

Theoretical air volumes at 0,5 m/s air velocity in the sash opening

The table above indicates the theoretical required air flows at different fume cupboard widths and openings. In practice, the air flow is limited by the ducting and the ventilation system. Practically, you measure a safety position on the fume cupboard that represents the largest sash window opening while maintaining air speed of >0.5 m/s.



Important dimensions for installation.



All ninoGUARD fume cupboards are manufactured and tested according to SS-EN 14175

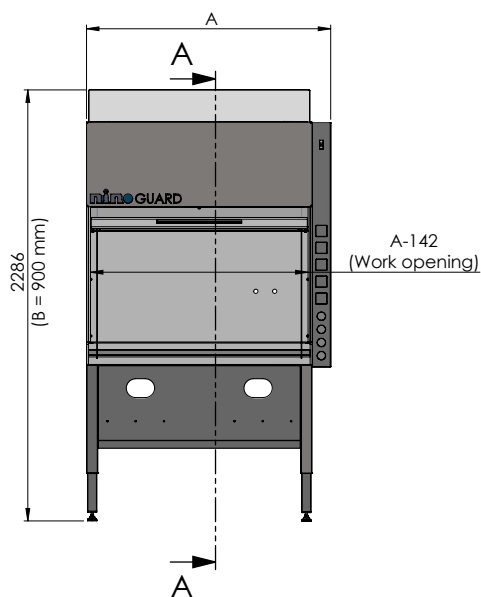
ninoGUARD PP

	ninoGUARD 1200 PP	ninoGUARD 1500 PP
External width	1200 mm	1500 mm
Internal width	1050 mm	1350 mm
External depth	830 mm	
External depth incl. media	865 mm	
Internal depth	672 mm	
External height for ducting	2116 mm, at 900 mm working height	
External height incl support standv	2080 mm with recessed legs on stand	
External height w/o support stand	1290 mm	
Max height with open sash	1671 mm	
Work height	700 mm - 1050 mm (Adjustable fixed) / 750 mm - 1050 mm (Electrical stand)	
Free leg space underneath	830 mm, at 900 mm work height	
Light	Min. 1000 Lux	
Sash window	6 mm laminated glass or polycarbonate	
Sash window design	Double PVC-cover stainless steel wire	
Material body	Polypropylene	
Material work top	Polypropylene or ceramic	
Side panel	Standard	
Media standard	5 pcs as standard	
Electrical outlet standard	2 pcs included as standard	
RCD, Residual circuit breaker	Standard	
Ø Duct connection	250 mm	315 mm

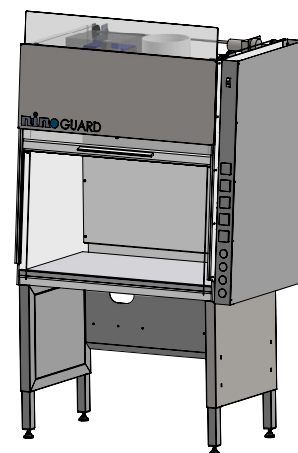
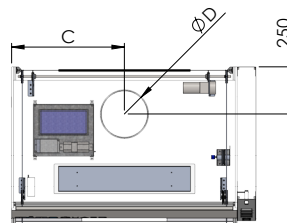
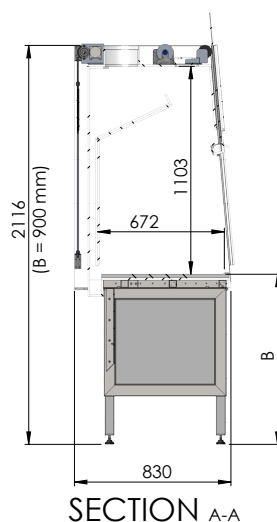
	ninoGUARD 1200 PP	ninoGUARD 1500 PP
External width	1200 mm	1500 mm
Internal width	1058 mm	1358 mm
"Closed sash" (6 cm open)	40 l/s	50 l/s
40 cm sash opening	210 l/s	270 l/s

Theoretical air volumes at 0,5 m/s air velocity in the sash opening

The table above indicates the theoretical required air flows at different fume cupboard widths and openings. In practice, the air flow is limited by the ducting and the ventilation system. Practically, you measure a safety position on the fume cupboard that represents the largest sash window opening while maintaining air speed of >0.5 m/s.



Important dimensions for installation.



All ninoGUARD fume cupboards are manufactured and tested according to SS-EN 14175

nino **labinterior**
Superior Lab Solutions