

## The Low-Pressure Cryogenic Liquid Solution

# EURO CYL

**The all-purpose gas transport, storage and supply vessels for  
laboratories, hospitals, universities and other low-pressure liquid users**



### Five Convenient Sizes

- ▶ 35 Liters
- ▶ 50 Liters
- ▶ 120 Liters
- ▶ 180 Liters
- ▶ 230 Liters

### Popular Options

- ▶ Casters-bases
- ▶ Fill / supply hoses
- ▶ Non-magnetic versions
- ▶ Pressure building kits

### Easy to Use

- ▶ Ideal for transport, storage and dispensing of cryogenic liquids
- ▶ Easy to maneuver caster bases on many models
- ▶ All valves and instruments within easy reach and visibility
- ▶ Stable center of gravity

### Superior Performance

- ▶ Low evaporation rate and high durability
- ▶ Optional pressure building system for high or continuous withdrawal rates
- ▶ Extended-stem liquid valve to reduce ice formation

### Cost Effective

- ▶ European ready ... TPED coded
- ▶ Super-insulation for longer holding time, lower evaporation and lower operating costs
- ▶ All stainless steel vessels and patented inner support system for durability and long life

**5-year vacuum warranty**



*Innovation. Experience. Performance.™*

## Specifications\*

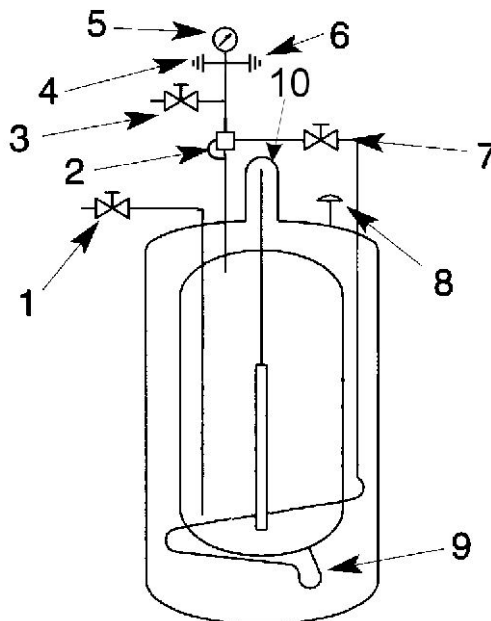
Model		35/1.5	50/1.5	120/4 SB	180/4	230/4 RB	230/4 SB
<b>Capacity</b>							
Liquid (gross)	(liters)	35	50	120	196	240	240
Liquid (net)	(liters)			114	186	228	228
<b>Performance</b>							
NER**** (N2)	(% per day)	4	4	2	1,9	1,8	1,8
NER (O2 - AR)	(% per day)	N/A	N/A	1,4	1,3	1,2	1,2
Relief Valve Setting	(bar)	1,5	1,5	1,5 / 4**	1,5 / 4**	1,5 / 4**	1,5 / 4**
Code		TPED	TPED	TPED	TPED	TPED	TPED
<b>Dimensions</b>							
Tank Diameter	(mm)	406	406	508	508	660	660
Base Dimensions	(mm)	406	406	650 x 675	508	660	715 x 715
Type of Base		round caster-base	round caster-base	square caster-base	round footring	round caster-base	square caster-base
Tank Height	(mm)	723	901	1290	1613	1391	1391
Tank Empty Weight	(kg)	41	45	94	109	125	143
<b>Maximum Tank Full Weight***</b>							
N2	(kg)	66	82	186	259	309	327
O2	(kg)	N/A	N/A	224	321	385	403
Ar	(kg)	N/A	N/A	253	369	443	461

\* Subject to change without prior notice

\*\* Tanks supplied with 1,5 bar and 4 bar relief valves

\*\*\* Tank plus product at saturated pressure 0 bar for O<sub>2</sub>, N<sub>2</sub>, Ar

\*\*\*\* NER: Nominal Evaporation Rate



### No. Nomenclature

- 1 Liquid Fill & Withdrawal Valve
- 2 Pressure Building Regulator\*\*\*\*
- 3 Vent Valve
- 4 Relief Valve
- 5 Pressure Gauge
- 6 Relief Valve
- 7 Pressure Building Valve
- 8 Outer Vessel Burst Disc
- 9 Pressure Building Coil
- 10 Liquid Level Indicator (35/50 fitted with DP gauge)

\*\*\*\*Available option on 120, 180 and 230 models only



### FEROX, a Chart Industries Company

Ferox a.s. Ústecká 30 CZ-405 30 Děčín Czech Republic ph/ +420-412-507 349 fx/ +420-412-507 297  
 Ferox GmbH Brosshauser Straße 20 D-42697 Solingen Germany ph/ +49-(0)212-2 33 67-0 fx/ +49-(0)212-2 33 67-10  
 Email: sales@chart-ferox.com Internet: http://www.chart-ferox.com

00060035E-0106 © 2006, Ferox a.s., a Chart Industries Company, All Rights Reserved